

NWPLAY109 Horizontal Ladder



The Horizontal Ladder is a fun play and climbing equipment that challenges endurance and strength when, doing the arm-walking rib by rib – and having fun competing in how far you can get through. It strengthens the upper body, arms and the ability to coordinate.

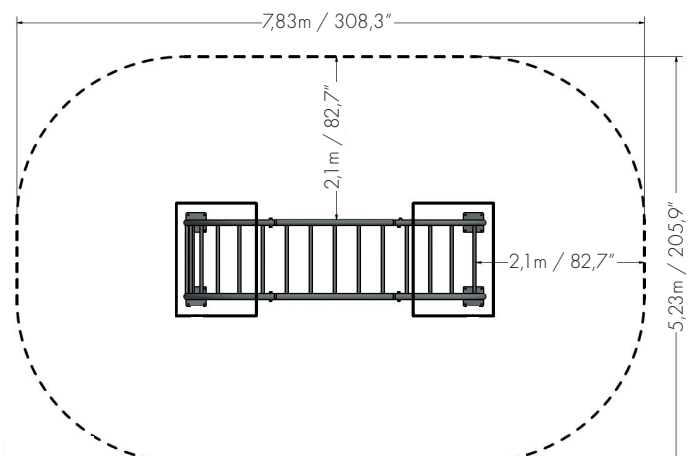
For the older children and teens, the ribs can also be strength training - doing dips, pull-ups and push-ups.



POSITION AND SAFETY ZONE:

Area = 36,7m² / 395 ft²

Free Fall Height = 205cm / 80,7"



DESIGNED TO PLAY

All Norwell PLAY equipment is inspired by Norwell's well known curve, - the main element of our design, which creates a light and transparent construction. Combined with our choice of colour, it can fit into any environment and in a playful way develops the child's balance and motor skills. All our equipment expresses the best of Danish Design, quality, functionality, and aesthetics.

SAFE DESIGN

All the Norwell Outdoor PLAY equipment comply with the European Playground equipment standard EN1176.

10 YEAR WARRANTY

10 years against failure due to material or manufacturing defects and corrosion breakthrough on pipes, foundations and welds. Please contact us for more information about warranty coverage, and for sites within 5 km of saltwater.

2 YEAR WARRANTY

2 years against failure due to material or manufacturing defects and corrosion breakthrough on all moving parts, plastic and rubber parts.